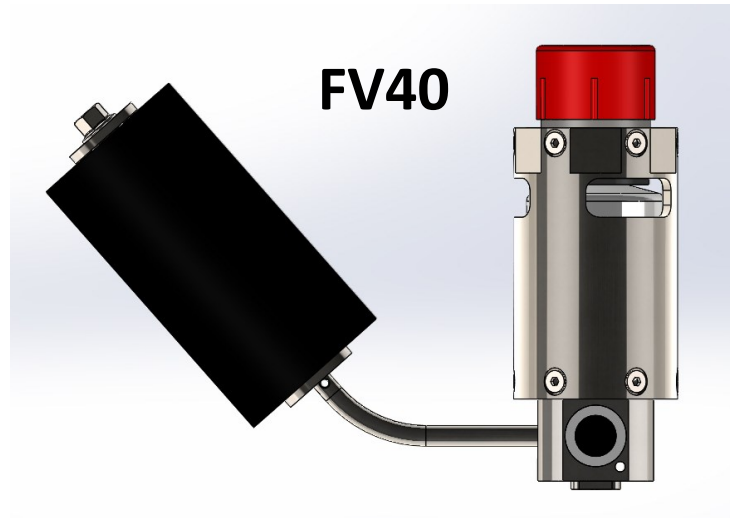
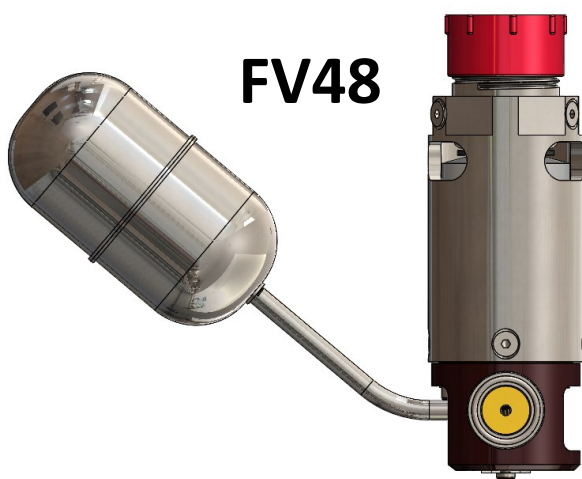


FLUID VALVES L I M I T E D

FV48 1" NPT & FV40 3/4" NPT

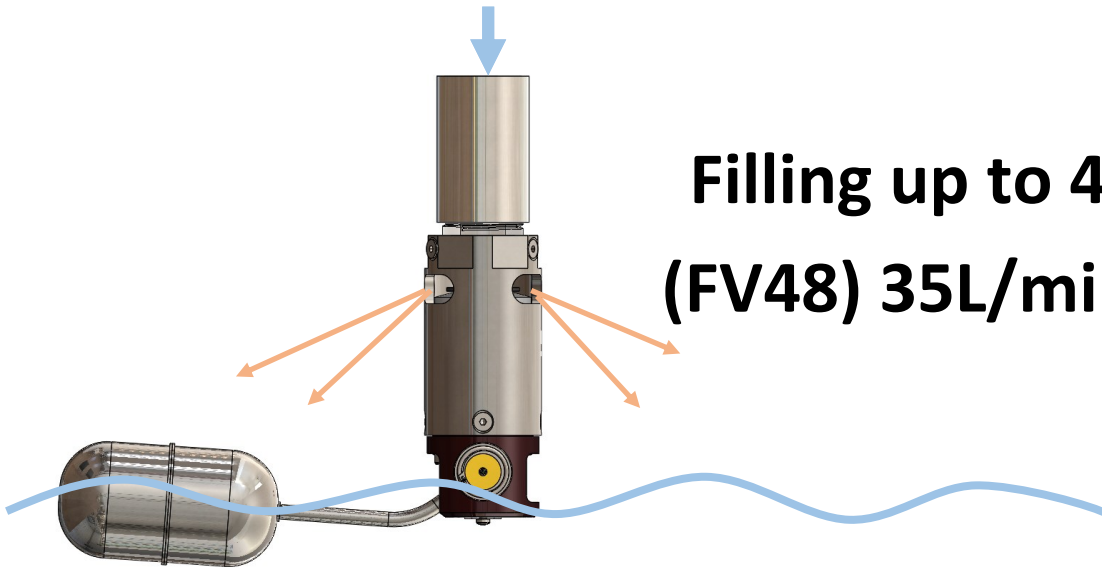
Float Operated Valve



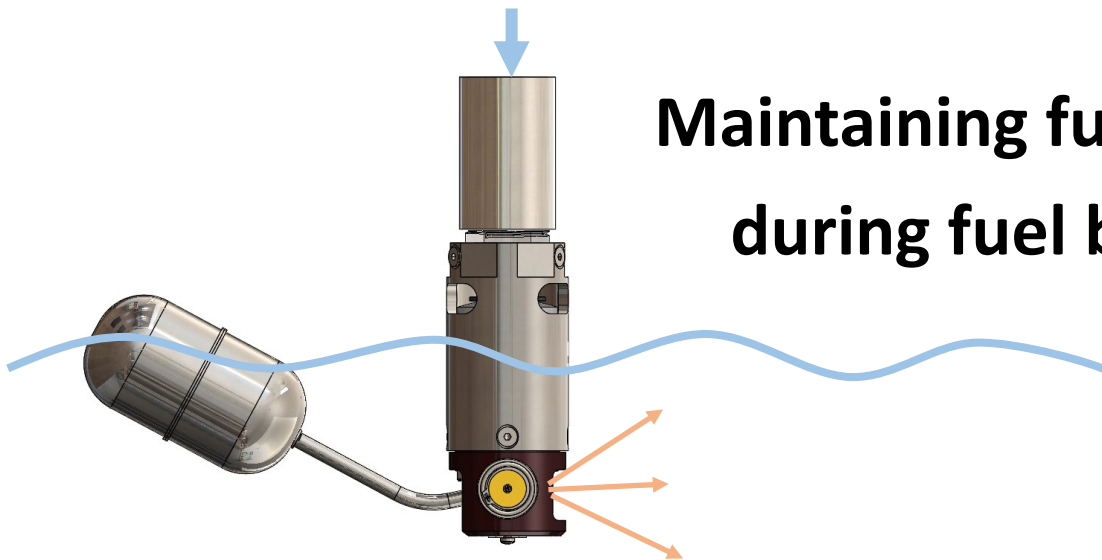
For Diesel, Coolant, Light Oils, Kerosene and non-aggressive chemicals.

Applications include -

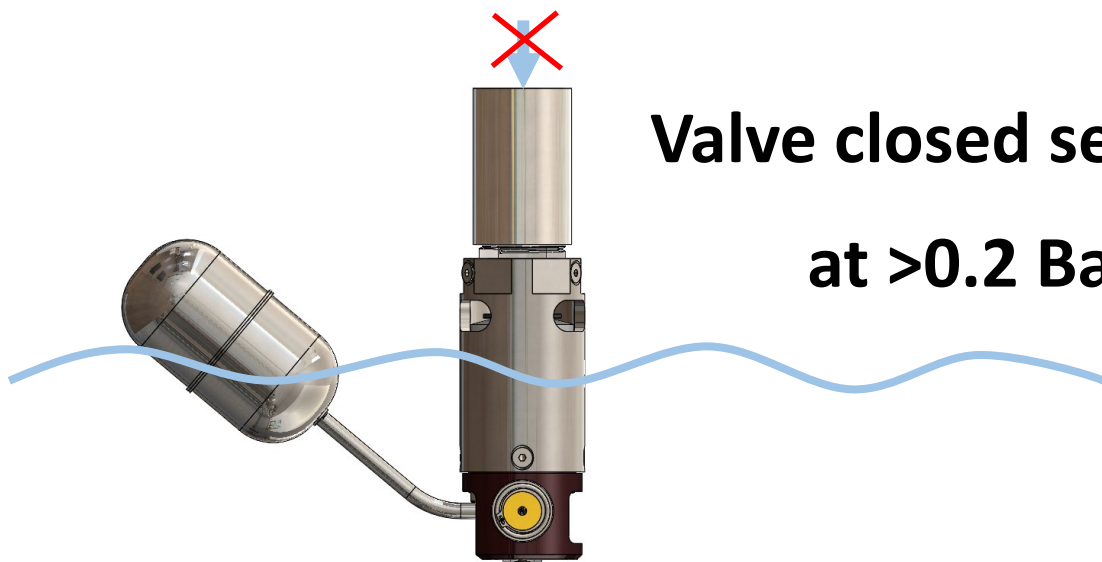
Overfill protection and level control of day tanks, storage tanks, process control and hydraulic fracturing unit refuelling.



**Filling up to 45L/min
(FV48) 35L/min (FV40)**

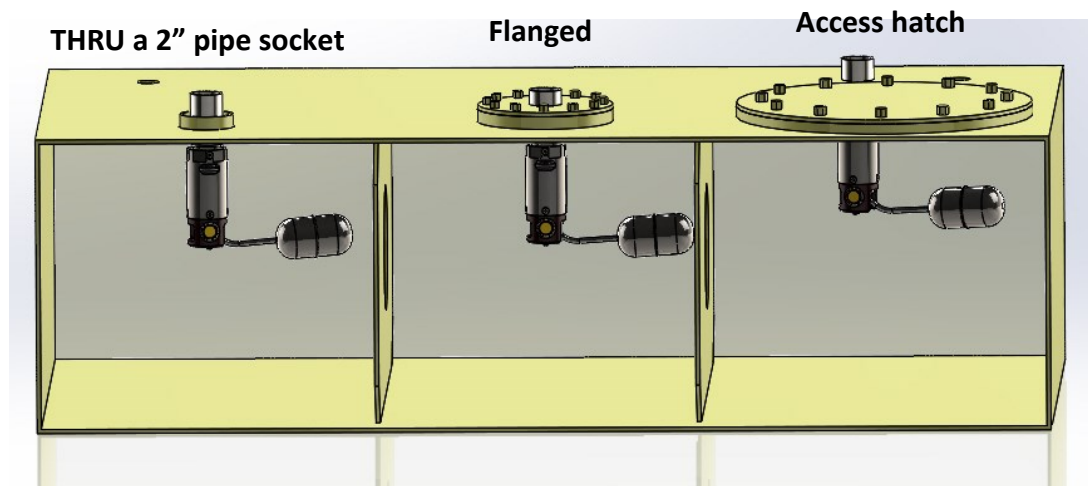


**Maintaining fuel level
during fuel burn.**



**Valve closed seal tight
at >0.2 Barg**

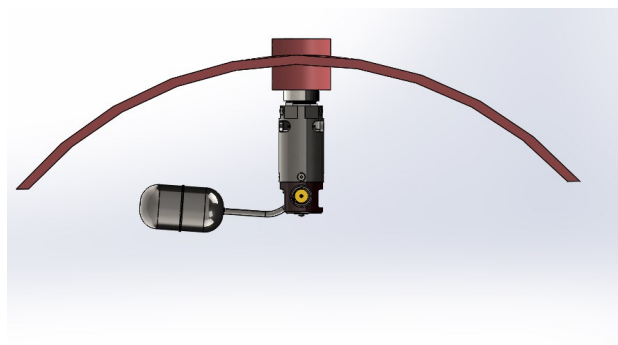
Typical applications FV48 & FV40 valve



Diesel generators, Diesel driven fire pumps, Diesel driven irrigation pumps, storage tanks.

Suitable for Diesel, Coolant and light oils. Non-aggressive chemicals.

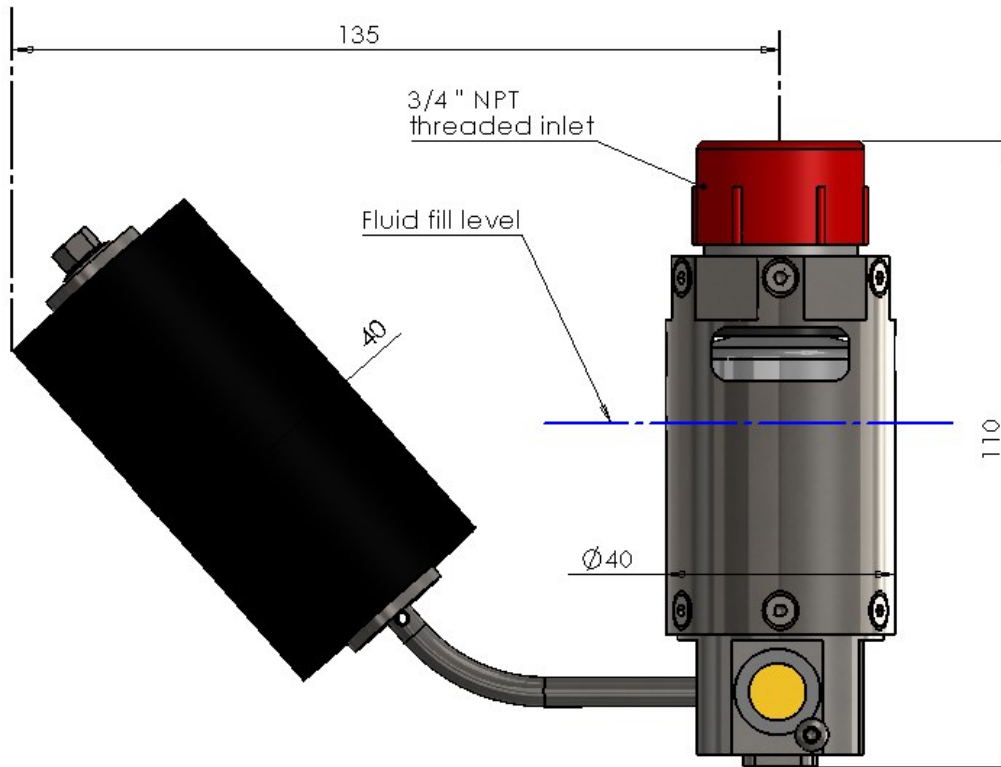
Cylindrical tank



FLUIDVALVES

L I M I T E D

FV40



FV48

