

FLUIDVALVES

L I M I T E D

FV48-10 Float Operated Level Control

1" Fuel reduced foaming/
aeration/turbulence

Applications: Stand by and prime power diesel

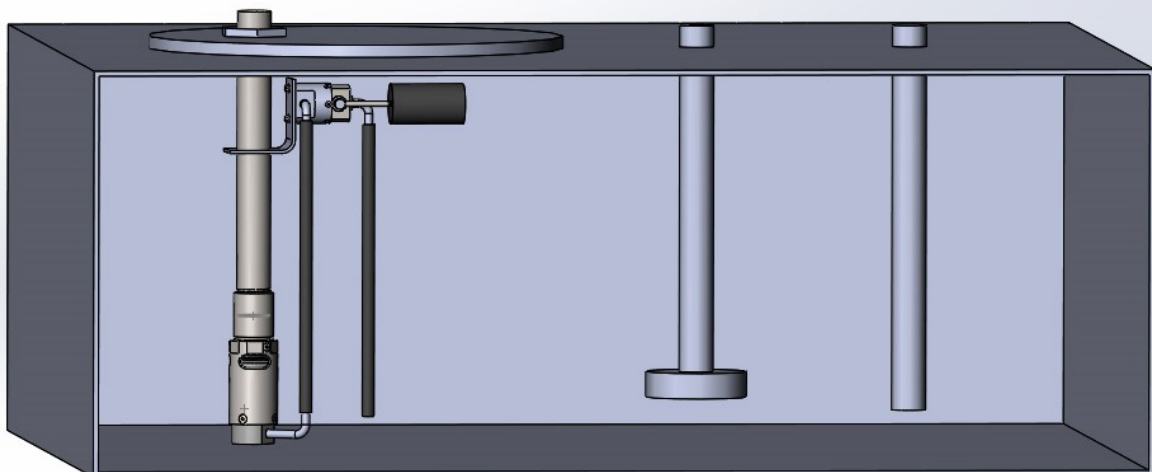
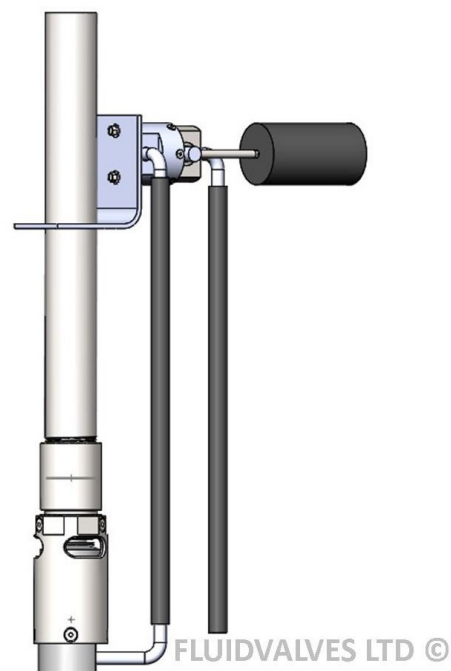
Specifications

Flow rate: up to 40 L/min

Operating pressure: 0.2 to 5Bar

Operating temperature: up to 60C

Materials: SS303, ACETAL C, Brass,
CC-HD VITON, VITON



FLUIDVALVES Ltd

